

Adjustable hand levers

Zinc die casting, Bushing / Threaded bolt Steel, blackened

SPECIFICATION

Handle

Zinc die casting

plastic coated

black, RAL 9005, textured finish **SW**

black, RAL 9011, silk finish **SZ**

orange, RAL 2004, textured finish **OS**

red, RAL 3000, textured finish **RS**

silver, RAL 9006, textured finish **SR**

chrome-plated **CR**

uncoated, slide grinded **RH**

Version with bushing

Threaded insert and retaining screw

Steel, blackened

Version with threaded stud

Threaded stud and retaining screw

Steel, blackened

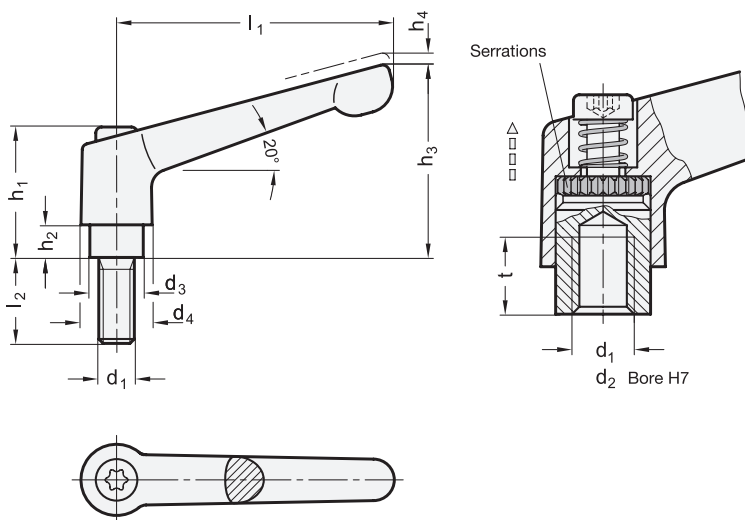
INFORMATION

Adjustable hand levers GN 300 are ideal whenever parts have to be clamped in a confined space or in a particular lever position. The centre insert is connected to the lever via serrations which can easily be disengaged.

Pulling the lever, disengages the serrations and allowing it to be swivelled to the ideal clamping position. On releasing the lever the serrations automatically re-engage.

TECHNICAL INFORMATION


- ISO-Fundamental Tolerances (see page A21)




* Complete with colour index of the clamping lever body (SW, SZ, OS, RS, SR, CR or RH)

 SW	 SZ	 OS	 RS	 SR	 CR	 RH
RAL9005	RAL9011	RAL2004	RAL3000	RAL9006	chrome-plated	uncoated

GN 300-with bushing

Description	l1	d1	d2	d3	d4	h1	h2	h3	h4	t min.	
GN 300-22-B4-*	22	-	B 4	8	10.5	18.5	2	23	3	5	12
GN 300-22-B5-*	22	-	B 5	8	10.5	18.5	2	23	3	5	11
GN 300-22-M3-*	22	M 3	-	8	10.5	18.5	2	23	3	5	13
GN 300-22-M4-*	22	M 4	-	8	10.5	18.5	2	23	3	5	12
GN 300-22-M5-*	22	M 5	-	8	10.5	18.5	2	23	3	5	11
GN 300-30-B5-*	30	-	B 5	10	13	24.5	4	31	3.5	9	26
GN 300-30-B6-*	30	-	B 6	10	13	24.5	4	31	3.5	9	25
GN 300-30-M3-*	30	M 3	-	10	13	24.5	4	31	3.5	7	30
GN 300-30-M4-*	30	M 4	-	10	13	24.5	4	31	3.5	9	27
GN 300-30-M5-*	30	M 5	-	10	13	24.5	4	31	3.5	9	25
GN 300-30-M6-*	30	M 6	-	10	13	24.5	4	31	3.5	9	24
GN 300-45-B5-*	45	-	B 5	10	13	24.5	4	34	3.5	9	33
GN 300-45-B6-*	45	-	B 6	10	13	24.5	4	34	3.5	9	32
GN 300-45-M4-*	45	M 4	-	10	13	24.5	4	34	3.5	9	34
GN 300-45-M5-*	45	M 5	-	10	13	24.5	4	34	3.5	9	33
GN 300-45-M6-*	45	M 6	-	10	13	24.5	4	34	3.5	9	32
GN 300-63-B8-*	63	-	B 8	13.5	17.5	31	6.5	45	4	11	74
GN 300-63-M6-*	63	M 6	-	13.5	17.5	31	6.5	45	4	11	77
GN 300-63-M8-*	63	M 8	-	13.5	17.5	31	6.5	45	4	11	76
GN 300-78-B8-*	78	-	B 8	16	21	36	8	54	4	14	122
GN 300-78-B10-*	78	-	B 10	16	21	36	8	54	4	14	118
GN 300-78-M8-*	78	M 8	-	16	21	36	8	54	4	14	123
GN 300-78-M10-*	78	M 10	-	16	21	36	8	54	4	14	120
GN 300-78-M12-*	78	M 12	-	16	21	36	8	54	4	14	150
GN 300-92-B12-*	92	-	B 12	19	24	43	11	64	4	17	178
GN 300-92-M10-*	92	M 10	-	19	24	43	11	64	4	17	186
GN 300-92-M12-*	92	M 12	-	19	24	43	11	64	4	17	181
GN 300-108-B12-*	108	-	B 12	23	30	50.5	12	75	5	22	305
GN 300-108-B16-*	108	-	B 16	23	30	50.5	12	75	5	22	345
GN 300-108-M12-*	108	M 12	-	23	30	50.5	12	75	5	22	306
GN 300-108-M14-*	108	M 14	-	23	30	50.5	12	75	5	22	298
GN 300-108-M16-*	108	M 16	-	23	30	50.5	12	75	5	22	287

GN 300-with bushing

Description	l1	d1	l2	d3	d4	h1	h2	h3	h4	
GN 300-22-M3-6-*	22	M 3	6	8	10.5	18.5	2	23	3	13
GN 300-22-M3-8-*	22	M 3	8	8	10.5	18.5	2	23	3	15
GN 300-22-M3-10-*	22	M 3	10	8	10.5	18.5	2	23	3	17
GN 300-22-M3-12-*	22	M 3	12	8	10.5	18.5	2	23	3	18
GN 300-22-M3-16-*	22	M 3	16	8	10.5	18.5	2	23	3	20
GN 300-22-M4-12-*	22	M 4	12	8	10.5	18.5	2	23	3	14
GN 300-22-M4-16-*	22	M 4	16	8	10.5	18.5	2	23	3	15
GN 300-22-M4-20-*	22	M 4	20	8	10.5	18.5	2	23	3	16
GN 300-22-M4-25-*	22	M 4	25	8	10.5	18.5	2	23	3	17
GN 300-22-M4-32-*	22	M 4	32	8	10.5	18.5	2	23	3	18
GN 300-22-M5-12-*	22	M 5	12	8	10.5	18.5	2	23	3	13
GN 300-22-M5-16-*	22	M 5	16	8	10.5	18.5	2	23	3	15
GN 300-22-M5-20-*	22	M 5	20	8	10.5	18.5	2	23	3	16
GN 300-22-M5-25-*	22	M 5	25	8	10.5	18.5	2	23	3	17
GN 300-22-M5-32-*	22	M 5	32	8	10.5	18.5	2	23	3	18
GN 300-30-M3-6-*	30	M 3	6	10	13	24.5	4	31	3.5	26
GN 300-30-M3-8-*	30	M 3	8	10	13	24.5	4	31	3.5	30
GN 300-30-M3-10-*	30	M 3	10	10	13	24.5	4	31	3.5	33
GN 300-30-M3-12-*	30	M 3	12	10	13	24.5	4	31	3.5	35
GN 300-30-M3-16-*	30	M 3	16	10	13	24.5	4	31	3.5	35
GN 300-30-M4-12-*	30	M 4	12	10	13	24.5	4	31	3.5	28
GN 300-30-M4-16-*	30	M 4	16	10	13	24.5	4	31	3.5	30
GN 300-30-M4-20-*	30	M 4	20	10	13	24.5	4	31	3.5	31
GN 300-30-M4-25-*	30	M 4	25	10	13	24.5	4	31	3.5	32
GN 300-30-M4-32-*	30	M 4	32	10	13	24.5	4	31	3.5	32
GN 300-30-M5-12-*	30	M 5	12	10	13	24.5	4	31	3.5	28
GN 300-30-M5-16-*	30	M 5	16	10	13	24.5	4	31	3.5	29
GN 300-30-M5-20-*	30	M 5	20	10	13	24.5	4	31	3.5	32
GN 300-30-M5-25-*	30	M 5	25	10	13	24.5	4	31	3.5	33
GN 300-30-M5-32-*	30	M 5	32	10	13	24.5	4	31	3.5	34
GN 300-30-M5-40-*	30	M 5	40	10	13	24.5	4	31	3.5	35
GN 300-30-M5-50-*	30	M 5	50	10	13	24.5	4	31	3.5	36
GN 300-30-M6-12-*	30	M 6	12	10	13	24.5	4	31	3.5	29
GN 300-30-M6-16-*	30	M 6	16	10	13	24.5	4	31	3.5	30
GN 300-30-M6-20-*	30	M 6	20	10	13	24.5	4	31	3.5	31
GN 300-30-M6-25-*	30	M 6	25	10	13	24.5	4	31	3.5	32
GN 300-30-M6-32-*	30	M 6	32	10	13	24.5	4	31	3.5	33
GN 300-30-M6-40-*	30	M 6	40	10	13	24.5	4	31	3.5	34
GN 300-30-M6-50-*	30	M 6	50	10	13	24.5	4	31	3.5	35
GN 300-45-M4-12-*	45	M 4	12	10	13	24.5	4	34	3.5	37
GN 300-45-M4-16-*	45	M 4	16	10	13	24.5	4	34	3.5	39
GN 300-45-M4-20-*	45	M 4	20	10	13	24.5	4	34	3.5	40
GN 300-45-M4-25-*	45	M 4	25	10	13	24.5	4	34	3.5	41
GN 300-45-M4-32-*	45	M 4	32	10	13	24.5	4	34	3.5	42
GN 300-45-M5-12-*	45	M 5	12	10	13	24.5	4	34	3.5	36
GN 300-45-M5-16-*	45	M 5	16	10	13	24.5	4	34	3.5	37
GN 300-45-M5-20-*	45	M 5	20	10	13	24.5	4	34	3.5	38
GN 300-45-M5-25-*	45	M 5	25	10	13	24.5	4	34	3.5	39



Clamping levers



* Complete with colour index of the clamping lever body (SW, SZ, OS, RS, SR, CR or RH)

SW SZ OS RS SR CR RH
 RAL9005 RAL9011 RAL2004 RAL3000 RAL9006 chrome-plated uncoated

GN 300-with threaded stud

Description	l1	d1	l2	d3	d4	h1	h2	h3	h4	⚖️
GN 300-45-M5-32-*	45	M 5	32	10	13	24.5	4	34	3.5	40
GN 300-45-M5-40-*	45	M 5	40	10	13	24.5	4	34	3.5	41
GN 300-45-M5-50-*	45	M 5	50	10	13	24.5	4	34	3.5	42
GN 300-45-M6-12-*	45	M 6	12	10	13	24.5	4	34	3.5	36
GN 300-45-M6-16-*	45	M 6	16	10	13	24.5	4	34	3.5	37
GN 300-45-M6-20-*	45	M 6	20	10	13	24.5	4	34	3.5	38
GN 300-45-M6-25-*	45	M 6	25	10	13	24.5	4	34	3.5	40
GN 300-45-M6-32-*	45	M 6	32	10	13	24.5	4	34	3.5	41
GN 300-45-M6-40-*	45	M 6	40	10	13	24.5	4	34	3.5	42
GN 300-45-M6-50-*	45	M 6	50	10	13	24.5	4	34	3.5	43
GN 300-63-M6-12-*	63	M 6	12	13.5	17.5	31	6.5	45	4	70
GN 300-63-M6-16-*	63	M 6	16	13.5	17.5	31	6.5	45	4	75
GN 300-63-M6-20-*	63	M 6	20	13.5	17.5	31	6.5	45	4	82
GN 300-63-M6-25-*	63	M 6	25	13.5	17.5	31	6.5	45	4	83
GN 300-63-M6-32-*	63	M 6	32	13.5	17.5	31	6.5	45	4	84
GN 300-63-M6-40-*	63	M 6	40	13.5	17.5	31	6.5	45	4	85
GN 300-63-M6-50-*	63	M 6	50	13.5	17.5	31	6.5	45	4	86
GN 300-63-M6-63-*	63	M 6	63	13.5	17.5	31	6.5	45	4	88
GN 300-63-M8-12-*	63	M 8	12	13.5	17.5	31	6.5	45	4	82
GN 300-63-M8-16-*	63	M 8	16	13.5	17.5	31	6.5	45	4	83
GN 300-63-M8-20-*	63	M 8	20	13.5	17.5	31	6.5	45	4	84
GN 300-63-M8-25-*	63	M 8	25	13.5	17.5	31	6.5	45	4	86
GN 300-63-M8-32-*	63	M 8	32	13.5	17.5	31	6.5	45	4	89
GN 300-63-M8-40-*	63	M 8	40	13.5	17.5	31	6.5	45	4	93
GN 300-63-M8-50-*	63	M 8	50	13.5	17.5	31	6.5	45	4	94
GN 300-63-M8-63-*	63	M 8	63	13.5	17.5	31	6.5	45	4	95
GN 300-63-M10-20-*	63	M 10	20	13.5	17.5	31	6.5	45	4	87
GN 300-63-M10-25-*	63	M 10	25	13.5	17.5	31	6.5	45	4	90
GN 300-63-M10-32-*	63	M 10	32	13.5	17.5	31	6.5	45	4	90
GN 300-63-M10-40-*	63	M 10	40	13.5	17.5	31	6.5	45	4	96
GN 300-63-M10-50-*	63	M 10	50	13.5	17.5	31	6.5	45	4	101
GN 300-63-M10-63-*	63	M 10	63	13.5	17.5	31	6.5	45	4	108
GN 300-63-M10-80-*	63	M 10	80	13.5	17.5	31	6.5	45	4	118
GN 300-78-M8-16-*	78	M 8	16	16	21	36	8	54	4	131
GN 300-78-M8-20-*	78	M 8	20	16	21	36	8	54	4	132
GN 300-78-M8-25-*	78	M 8	25	16	21	36	8	54	4	133
GN 300-78-M8-32-*	78	M 8	32	16	21	36	8	54	4	135
GN 300-78-M8-40-*	78	M 8	40	16	21	36	8	54	4	140
GN 300-78-M8-50-*	78	M 8	50	16	21	36	8	54	4	143
GN 300-78-M8-63-*	78	M 8	63	16	21	36	8	54	4	147
GN 300-78-M8-80-*	78	M 8	80	16	21	36	8	54	4	152
GN 300-78-M10-16-*	78	M 10	16	16	21	36	8	54	4	143
GN 300-78-M10-20-*	78	M 10	20	16	21	36	8	54	4	138
GN 300-78-M10-25-*	78	M 10	25	16	21	36	8	54	4	142
GN 300-78-M10-32-*	78	M 10	32	16	21	36	8	54	4	144
GN 300-78-M10-40-*	78	M 10	40	16	21	36	8	54	4	148

GN 300-with threaded stud

Description	l1	d1	l2	d3	d4	h1	h2	h3	h4	⚖️
GN 300-78-M10-50-*	78	M 10	50	16	21	36	8	54	4	153
GN 300-78-M10-63-*	78	M 10	63	16	21	36	8	54	4	160
GN 300-78-M10-80-*	78	M 10	80	16	21	36	8	54	4	166
GN 300-78-M12-20-*	78	M 12	20	16	21	36	8	54	4	141
GN 300-78-M12-25-*	78	M 12	25	16	21	36	8	54	4	145
GN 300-78-M12-32-*	78	M 12	32	16	21	36	8	54	4	150
GN 300-78-M12-40-*	78	M 12	40	16	21	36	8	54	4	156
GN 300-78-M12-50-*	78	M 12	50	16	21	36	8	54	4	163
GN 300-78-M12-63-*	78	M 12	63	16	21	36	8	54	4	171
GN 300-78-M12-80-*	78	M 12	80	16	21	36	8	54	4	183
GN 300-92-M10-16-*	92	M 10	16	19	24	43	11	64	4	199
GN 300-92-M10-20-*	92	M 10	20	19	24	43	11	64	4	202
GN 300-92-M10-25-*	92	M 10	25	19	24	43	11	64	4	205
GN 300-92-M10-32-*	92	M 10	32	19	24	43	11	64	4	209
GN 300-92-M10-40-*	92	M 10	40	19	24	43	11	64	4	209
GN 300-92-M10-50-*	92	M 10	50	19	24	43	11	64	4	219
GN 300-92-M10-63-*	92	M 10	63	19	24	43	11	64	4	224
GN 300-92-M10-80-*	92	M 10	80	19	24	43	11	64	4	229
GN 300-92-M12-16-*	92	M 12	16	19	24	43	11	64	4	206
GN 300-92-M12-20-*	92	M 12	20	19	24	43	11	64	4	207
GN 300-92-M12-25-*	92	M 12	25	19	24	43	11	64	4	212
GN 300-92-M12-32-*	92	M 12	32	19	24	43	11	64	4	217
GN 300-92-M12-40-*	92	M 12	40	19	24	43	11	64	4	220
GN 300-92-M12-50-*	92	M 12	50	19	24	43	11	64	4	230
GN 300-92-M12-63-*	92	M 12	63	19	24	43	11	64	4	240
GN 300-92-M12-80-*	92	M 12	80	19	24	43	11	64	4	250
GN 300-92-M16-25-*	92	M 16	25	19	24	43	11	64	4	226
GN 300-92-M16-32-*	92	M 16	32	19	24	43	11	64	4	234
GN 300-92-M16-40-*	92	M 16	40	19	24	43	11	64	4	245
GN 300-92-M16-50-*	92	M 16	50	19	24	43	11	64	4	259
GN 300-92-M16-63-*	92	M 16	63	19	24	43	11	64	4	276
GN 300-92-M16-80-*	92	M 16	80	19	24	43	11	64	4	300
GN 300-108-M12-25-*	108	M 12	25	23	30	50.5	12	75	5	350
GN 300-108-M12-32-*	108	M 12	32	23	30	50.5	12	75	5	356
GN 300-108-M12-40-*	108	M 12	40	23	30	50.5	12	75	5	363
GN 300-108-M12-50-*	108	M 12	50	23	30	50.5	12	75	5	371
GN 300-108-M12-63-*	108	M 12	63	23	30	50.5	12	75	5	383
GN 300-108-M12-80-*	108	M 12	80	23	30	50.5	12	75	5	390
GN 300-108-M12-120-*	108	M 12	120	23	30	50.5	12	75	5	410
GN 300-108-M16-25-*	108	M 16	25	23	30	50.5	12	75	5	355
GN 300-108-M16-32-*	108	M 16	32	23	30	50.5	12	75	5	365
GN 300-108-M16-40-*	108	M 16	40	23	30	50.5	12	75	5	376
GN 300-108-M16-50-*	108	M 16	50	23	30	50.5	12	75	5	388
GN 300-108-M16-63-*	108	M 16	63	23	30	50.5	12	75	5	407
GN 300-108-M16-80-*	108	M 16	80	23	30	50.5	12	75	5	429
GN 300-108-M16-120-*	108	M 16	120	23	30	50.5	12	75	5	476

Clamping levers